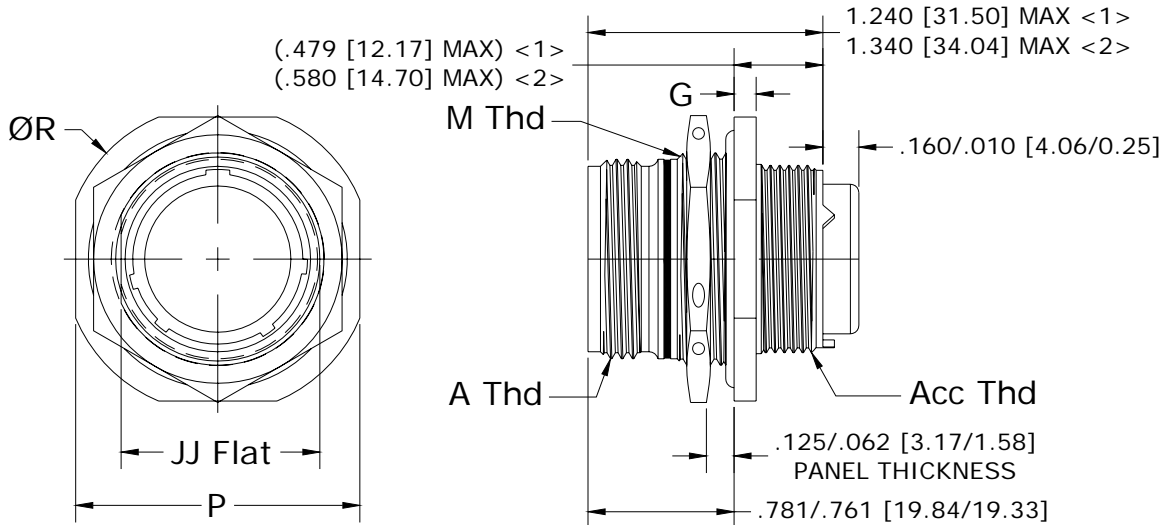


SHELL SIZE	P	ØR
8	.980/.949 [24.89/24.10]	1.078/1.047 [27.38/26.59]
10	1.104/1.073 [28.04/27.25]	1.192/1.161 [30.28/29.49]
12	1.291/1.260 [32.79/32.00]	1.380/1.349 [35.05/34.26]
14	1.391/1.360 [35.33/34.54]	1.516/1.485 [38.51/37.72]
16	1.516/1.485 [38.51/37.72]	1.641/1.610 [41.68/40.89]
18	1.641/1.610 [41.68/40.89]	1.766/1.735 [44.86/44.07]
20	1.766/1.735 [44.86/44.07]	1.954/1.923 [49.63/48.84]
22	1.954/1.923 [49.63/48.84]	2.078/2.047 [52.78/51.99]
24	2.079/2.048 [52.81/52.02]	2.182/2.152 [55.42/54.66]
<3>	28 2.331/2.300 [59.21/58.42]	2.434/2.403 [61.82/61.04]

NOTES:

- <1> = FOR CLASS A, G, K, R, & W
- <2> = FOR CLASS N & S
- <3> = CONNECTOR SIZE NOT PER M83723



SHELL SIZE	A Thd CLASS 2A	Acc Thd CLASS 2A	G	M Thd CLASS 2A	JJ Flat
8	.562-24 UNEF	.500-20 UNF	.137/.097 [3.48/2.46]	.625-25 UN	.596/.590 [15.14/14.99]
10	.688-24 UNEF	.625-24 UNEF	.137/.097 [3.48/2.46]	.750-20 UNEF	.721/.715 [18.31/18.16]
12	.875-20 UNEF	.750-20 UNEF	.137/.097 [3.48/2.46]	.938-20 UNEF	.908/.902 [23.06/22.91]
14	.938-20 UNEF	.875-20 UNEF	.137/.097 [3.48/2.46]	1.000-20 UNEF	.971/.965 [24.66/24.51]
16	1.062-18 UNEF	1.000-20 UNEF	.137/.097 [3.48/2.46]	1.125-18 UNEF	1.096/1.090 [27.84/27.69]
18	1.188-18 UNEF	1.062-18 UNEF	.137/.097 [3.48/2.46]	1.250-18 UNEF	1.220/1.214 [30.99/30.84]
20	1.312-18 UNEF	1.188-18 UNEF	.137/.097 [3.48/2.46]	1.375-18 UNEF	1.345/1.339 [34.16/34.01]
22	1.438-18 UNEF	1.312-18 UNEF	.148/.128 [3.76/3.25]	1.500-18 UNEF	1.470/1.464 [37.34/37.19]
24	1.562-18 UNEF	1.438-18 UNEF	.148/.128 [3.76/3.25]	1.625-18 UNEF	1.595/1.589 [40.51/40.36]
<3>	28 1.812-16 UN	1.750-18 UNS	.148/.128 [3.76/3.25]	1.875-16 UN	1.842/1.836 [46.78/46.63]

DIMENSIONS ARE IN INCHES [MILLIMETERS], TOLERANCE UNLESS OTHERWISE NOTED IS ±.005 [0.13]